

- Temp Sensors:
- 1 Collector therm
 - 2 T1 bottom therm
 - 3 Toilet cts
 - 4 Tinet therm
 - 5 T2 bottom therm
 - 7
- Outputs
- Store, Output, Desc
 - 1 Hot water dump 2w1 -> SS relay -> 24vac
 - 2 2 Stage 1 Solar Enable / Solar Bypass -> 12v SPDT relay
 - 3 3 Solar Parallel Output Enable (Runs Solar only with Furnace) -> SS relay -> 24vac
 - 4 House Tank Glycol Bypass -> SS relay -> 24vac
 - 5 P2 main pump -> SS relay -> 120vac
 - 6 Shop Pump backup -> SS relay -> 120vac
 - 7
 - 8
 - 9 PWM Water Pump P3 12v PWM

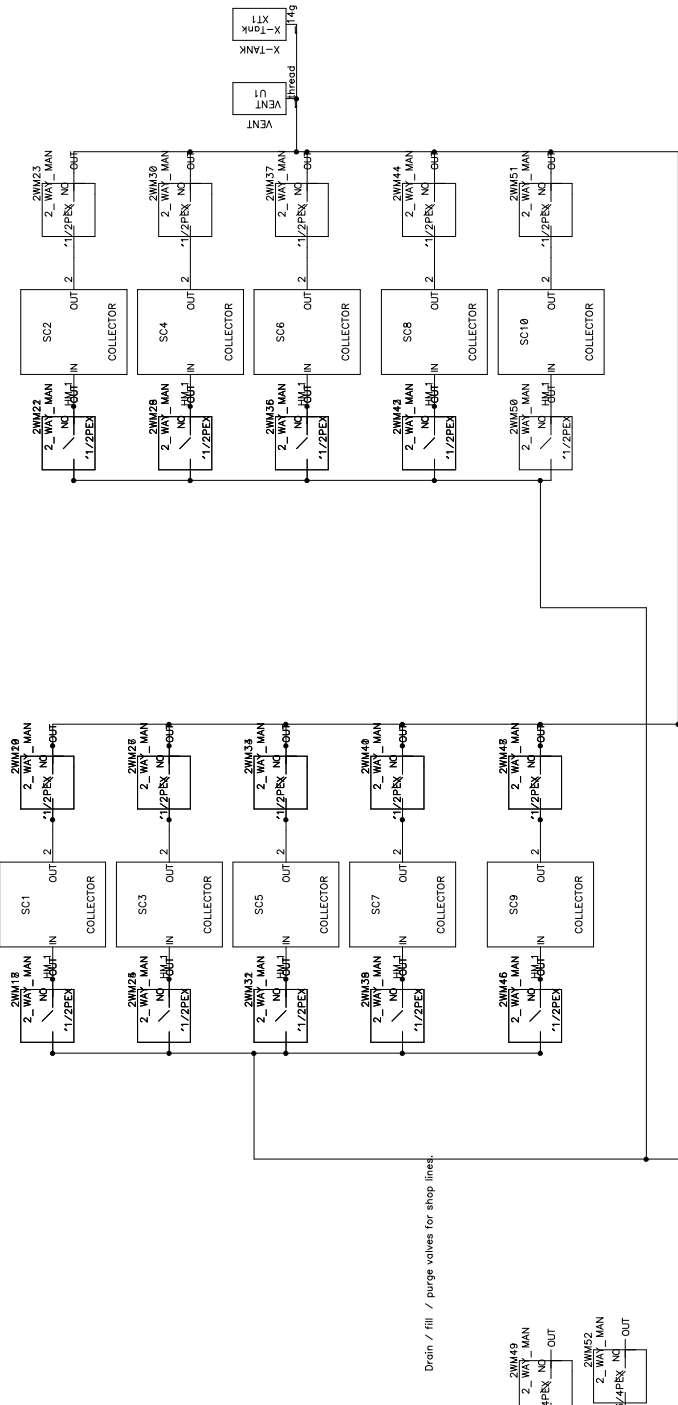
- Inputs
- 1 P3 flow
 - 2 AC input
 - 3 frq: collector flow sensor

Size	Number	Rev
C	{Drawing Number}	{Revision}

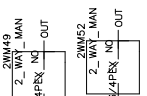
Date 1-29-19
 Drawn by {Drawn By}
 Filename 20180130_solar_plumbing_and_electrical.dwg 1 of 4

Brass T's for PEX to collectors

FIT7	1/2x1/2x1/2 PEX	FIT9	3/4x3/4x1/2 PEX
FIT10	1/2x1/2x1/2 PEX	FIT12	3/4x3/4x1/2 PEX
FIT13	3/4x3/4x1/2 PEX	FIT14	1/2x1/2x1/2 PEX
FIT15	1/2x1/2x1/2 PEX	FIT16	1/2x1/2x1/2 PEX
FIT17	1/2x1/2x1/2 PEX	FIT18	1/2x1/2x1/2 PEX
FIT19	3/4x3/4x1/2 PEX	FIT20	1/2x1/2x1/2 PEX
FIT21	1/2x1/2x1/2 PEX	FIT22	1/2x1/2x1/2 PEX
FIT23	3/4x3/4x1/2 PEX	FIT24	1/2x1/2x1/2 PEX
FIT25	1/2x1/2x1/2 PEX	FIT26	1/2x1/2x1/2 PEX
FIT27	3/4x3/4x1/2 PEX	FIT28	1/2x1/2x1/2 PEX
FIT29	1/2x1/2x1/2 PEX	FIT30	1/2x1/2x1/2 PEX
FIT31	3/4x3/4x1/2 PEX	FIT32	1/2x1/2x1/2 PEX



Drain / fill / purge valves for shop lines.



Top fittings for collectors

FIT33	PEXCpl1/2	FIT34	PEXCpl1/2
FIT35	PEXCpl1/2	FIT36	PEXCpl1/2
FIT37	PEXCpl1/2	FIT38	PEXCpl1/2
FIT39	PEXCpl1/2	FIT40	PEXCpl1/2
FIT41	PEXCpl1/2	FIT42	PEXCpl1/2
FIT43	PEXCpl1/2	FIT44	PEXCpl1/2
FIT45	PEXCpl1/2	FIT46	PEXCpl1/2
FIT47	PEXCpl1/2	FIT48	PEXCpl1/2
FIT49	PEXCpl1/2	FIT50	PEXCpl1/2
FIT51	PEXCpl1/2	FIT52	PEXCpl1/2
FIT53	PEXCpl1/2	FIT54	PEXCpl1/2
FIT55	PEXCpl1/2	FIT56	PEXCpl1/2
FIT57	PEXCpl1/2	FIT58	PEXCpl1/2
FIT59	PEXCpl1/2	FIT60	PEXCpl1/2
FIT61	PEXCpl1/2	FIT62	PEXCpl1/2
FIT63	PEXCpl1/2	FIT64	PEXCpl1/2
FIT65	PEXCpl1/2	FIT66	PEXCpl1/2
FIT67	PEXCpl1/2	FIT68	PEXCpl1/2
FIT69	PEXCpl1/2	FIT70	PEXCpl1/2
FIT71	PEXCpl1/2	FIT72	PEXCpl1/2
FIT73	PEXCpl1/2	FIT74	PEXCpl1/2
FIT75	PEXCpl1/2	FIT76	PEXCpl1/2
FIT77	PEXCpl1/2	FIT78	PEXCpl1/2

Bottom fittings for collectors

FIT33	PEXCpl1/2	FIT34	PEXCpl1/2
FIT35	PEXCpl1/2	FIT36	PEXCpl1/2
FIT37	PEXCpl1/2	FIT38	PEXCpl1/2
FIT39	PEXCpl1/2	FIT40	PEXCpl1/2
FIT41	PEXCpl1/2	FIT42	PEXCpl1/2
FIT43	PEXCpl1/2	FIT44	PEXCpl1/2
FIT45	PEXCpl1/2	FIT46	PEXCpl1/2
FIT47	PEXCpl1/2	FIT48	PEXCpl1/2
FIT49	PEXCpl1/2	FIT50	PEXCpl1/2
FIT51	PEXCpl1/2	FIT52	PEXCpl1/2
FIT53	PEXCpl1/2	FIT54	PEXCpl1/2
FIT55	PEXCpl1/2	FIT56	PEXCpl1/2
FIT57	PEXCpl1/2	FIT58	PEXCpl1/2
FIT59	PEXCpl1/2	FIT60	PEXCpl1/2
FIT61	PEXCpl1/2	FIT62	PEXCpl1/2
FIT63	PEXCpl1/2	FIT64	PEXCpl1/2
FIT65	PEXCpl1/2	FIT66	PEXCpl1/2
FIT67	PEXCpl1/2	FIT68	PEXCpl1/2
FIT69	PEXCpl1/2	FIT70	PEXCpl1/2
FIT71	PEXCpl1/2	FIT72	PEXCpl1/2
FIT73	PEXCpl1/2	FIT74	PEXCpl1/2
FIT75	PEXCpl1/2	FIT76	PEXCpl1/2
FIT77	PEXCpl1/2	FIT78	PEXCpl1/2

The collectors will use PEX to connect them to the system. A 3/4" x 1/2" Tee will be used for the collector. Each collector will have shut off valves for in and out. It is not advised to close both unless relief is provided!!

Solar System and Controls

Title	Solar System and Controls
Size	C
Number	{Drawing Number}
Date	1-29-19
Filename	20180130_solar_plumbing_and_electrical.dwg
Sheet	2
of	4

