

FIBERGLASS SECTION

NOTE 1: NO. 14 X 5/8" HEX HEAD SELF-TAPPING SCREWS ARE SUPPLIED BY THE FIBERGLASS MANUFACTURER. THEY ARE INSERTED THROUGH THE FIBERGLASS AND PIPE STRAP FASTEN FROM THE OUTSIDE IN EVERY 3 RD. VALLEY OF THE CORRUGATED FIBERGLASS. THE OVERLAPPED EDGES ARE SECURED WITH SELF-TAPPING NO. 14 X 5/8" SCREWS WITH NEOPRENE WASHERS 12" O.C. ON THE RIDGES OF THE OVERLAP. (FOLLOW THE MANUFACTURER'S RECOMMENDATIONS)

POLYETHYLENE COVERED SECTION

NOTE:
 CONSULT LOCAL BUILDING
 AUTHORITIES BEFORE
 STARTING CONSTRUCTION.

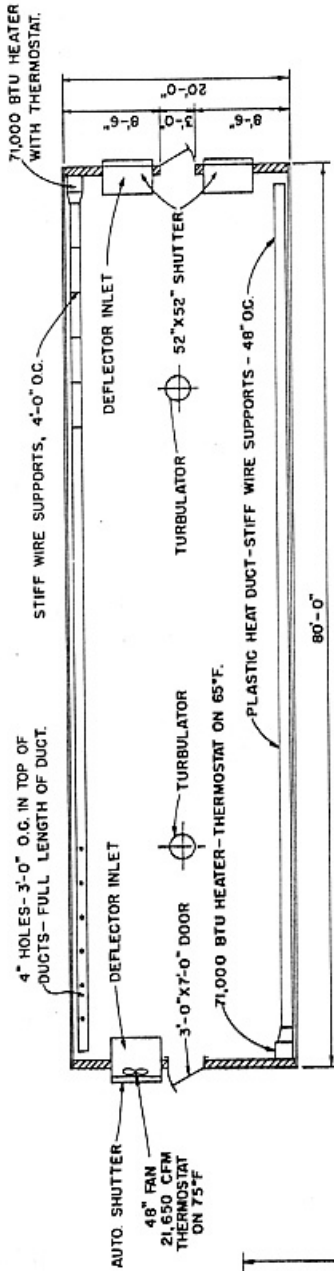
WHEN FIBERGLASS IS USED FOR END WALL COVERS,
 FASTEN AS PER MANUFACTURER'S RECOMMENDATIONS.

END FRAMING

BASED ON: MISS. STATE UNIV. PLAN NO. 6094-A. TRUCK CROPS RES. CTR.

COOPERATIVE EXTENSION WORK IN AGRICULTURE AND HOME ECONOMICS	
STATE OF TENNESSEE	
UNIVERSITY OF TENNESSEE	
AGRICULTURAL ENGINEERING DEPARTMENT	
UNITED STATES DEPARTMENT OF AGRICULTURE COOPERATING	
PLASTIC GREENHOUSES	
MISS. '75	SHEET 1 OF 2

4" HOLES - 3'-0" O.G. IN TOP OF DUCTS - FULL LENGTH OF DUCT.

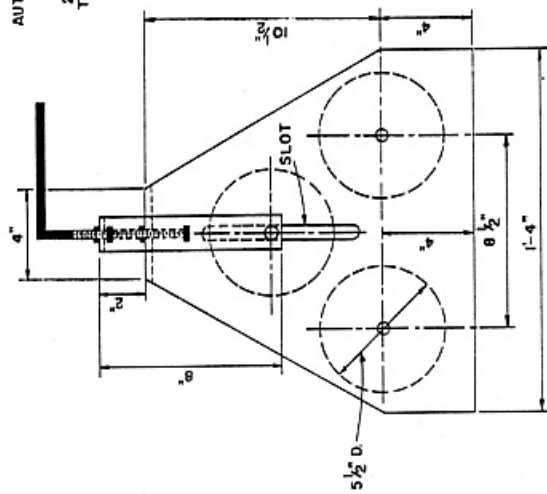


BASIC FLOOR PLAN

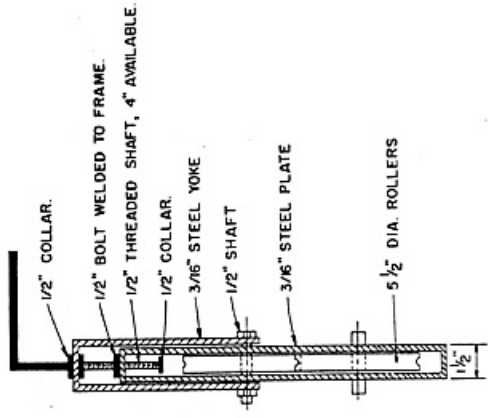
BILL OF MATERIALS

NO. REQ'D	DESCRIPTION
GRP I	FRAMING - 2 ENDS AND SIDES
16	2X6X10' OSMOSE TRTD. NO. 2 PINE
6	2X6X8'
18	2X4X12'
8	2X4X8'
5 LBS.	6d COMMON NAILS
12 LBS.	3'X7' SCREEN DOORS WITH HINGES AND LATCHES
2	FIBERGLASS - TYPE FRAMING
GRP II	FIBERGLASS - TYPE FRAMING
72	10' LENGTHS 1/2" DIA. STEEL CONDUIT
99	10' LENGTHS 3/4" DIA.
63	3/4"
56	3/16" X 2" STEEL STOVE BOLTS - ROUND HEAD
300	1" BLACK PIPE (USED PIPE SATISFACTORY)
132	POLYETHYLENE - TYPE FRAMING
GRP III	SAME AS FIBERGLASS WITH THE FOLLOWING
16	ADDITIONAL ITEMS AND ONE ITEM CHANGED.
56	2X4X10' OSMOSE TRTD. NO. 2 PINE (ADDITIONAL)
20	10' LENGTHS 1/2" DIA. STEEL CONDUIT (CHANGED)
	1X4X10' OSMOSE TRTD. NO. 2 PINE (BATTEN)
GRP IV	FIBERGLASS PANELS AND SUPPLIES
20	PANELS 3'-6" X 50 1/2" WIDTH (48" COVERAGE)
4	PANELS 9'-9"
4	PANELS 6'-0"
4	PANELS 9'-0"
1200	1/2" PIPE STRAPS - EVERY 3RD VALLEY ON ALL HORIZONTAL MEMBERS
2400	1/2" PIPE STRAP FASTENERS (NO. 14X5/8" HEX. HEAD SELF-TAPPING SCREWS)
300	ALUMINUM SCREW NAILS
700	SIDELAP FASTENERS
25	(NO. 14X5/8" HEX. HEAD SELF-TAPPING SCREWS)
24	PLASTIC CORRUGATED CLOSURE STRIPS VERTICAL
GRP V	POLYETHYLENE FOR POLY-TYPE
1	ROLL 100' X 32', 4 MIL. CLEAR
GRP VI	EQUIPMENT AND SUPPLIES - COMMON TO BOTH
1	48" SINGLE-SPEED FAN W/HP MOTOR AND SHUTTER
2	52" X 52" SPRING LOAD SHUTTERS
2	TURBULATORS - 1/6 HP MOTOR
2	21KW - 71000 BTU INPUT HEATERS
160 FT.	6" WIDTH 2 MIL. POLY FOR HEAT DUCTS

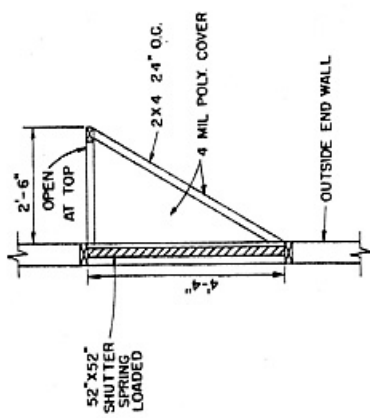
POLYETHYLENE - USE GRPS. I, II, III, IV, V, VI
 FIBERGLASS - USE GRPS. I, II, IV, V, VI



CONDUIT BENDER
SIDE VIEW



CONDUIT BENDER
SECTION VIEW



AIR INLET DEFLECTOR