

COOPERATIVE EXTENSION WORK IN AGRICULTURE AND HOME ECONOMICS  
STATE OF TENNESSEE  
UNIVERSITY OF TENNESSEE  
UNITED STATES DEPARTMENT OF AGRICULTURE COOPERATING

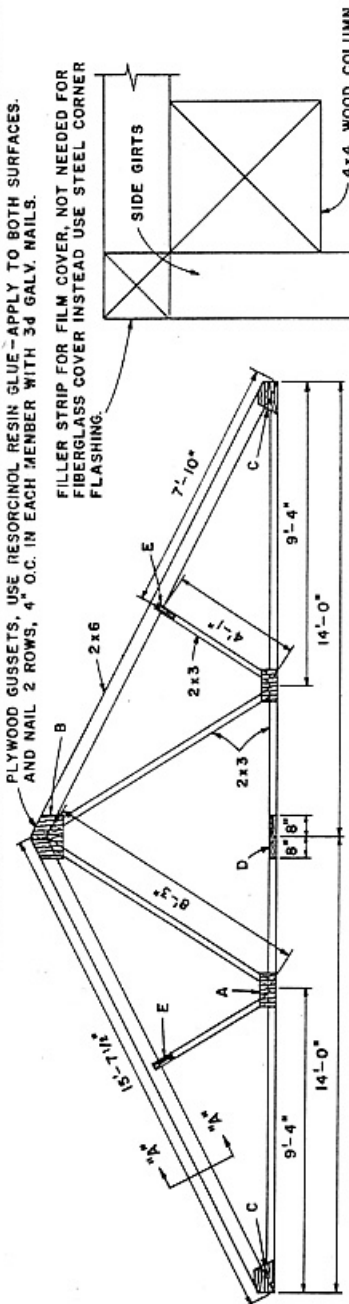
**28' GREENHOUSE**

PA. '74 6185 SHEET 1 OF 3  
AGRICULTURAL ENGINEERING DEPARTMENT

BASED ON: PENNA. STATE UNIV. PLAN NO. 822-349

PLYWOOD GUSSETS, USE RESORCINOL RESIN GLUE—APPLY TO BOTH SURFACES. AND NAIL 2 ROWS, 4" O.C. IN EACH MEMBER WITH 3d GALV. NAILS.

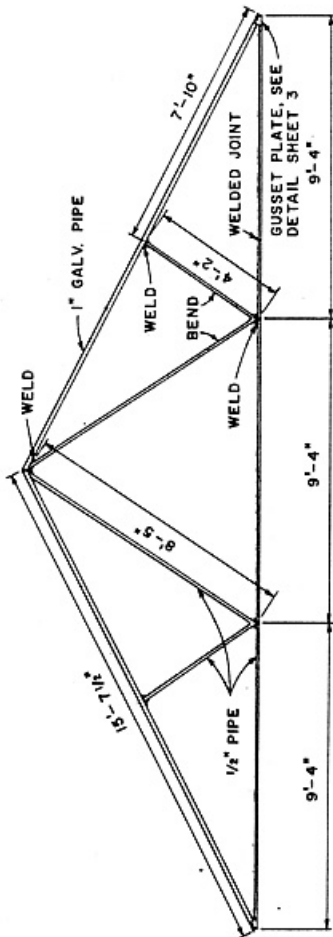
FILLER STRIP FOR FILM COVER, NOT NEEDED FOR FIBERGLASS COVER INSTEAD USE STEEL CORNER FLASHING.



USE 1500+ GRADE DOUGLAS FIR, WESTERN HEMLOCK, SOUTHERN YELLOW PINE OR EQUIVALENT.

WOOD TRUSS LAYOUT

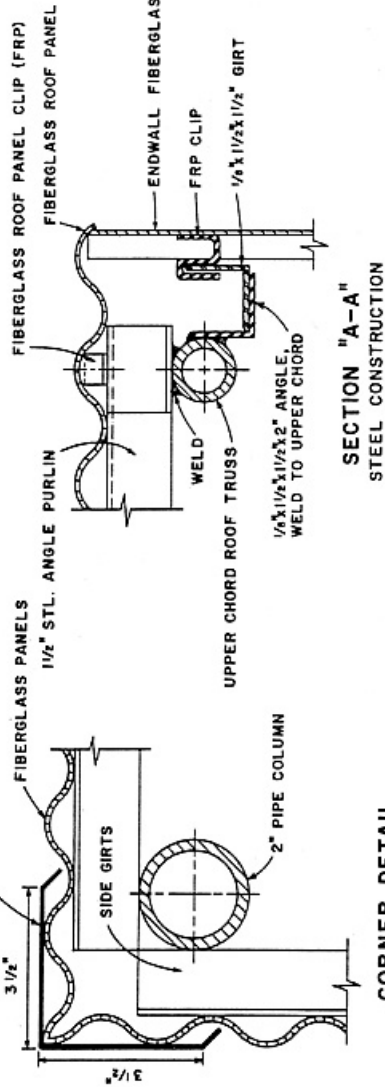
SCALE: 3/8"=1'-0" 1"=8'-0" 1"=2'-3"



PIPE TRUSS LAYOUT  
WELDED CONSTRUCTION

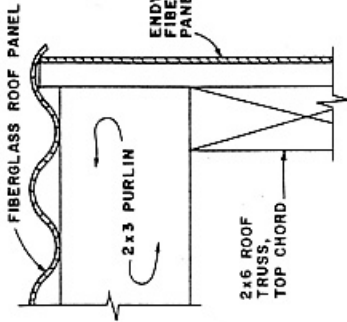
SCALE: 3/8"=1'-0" 1"=8'-0" 1"=2'-3"

22 GA. GALV. STEEL CORNER FLASHING



SECTION "A-A"  
STEEL CONSTRUCTION

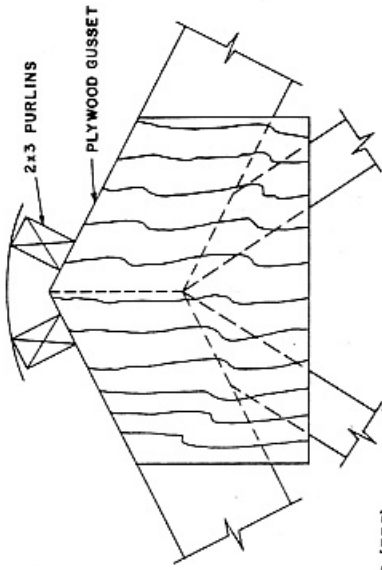
CORNER DETAIL  
STEEL CONSTRUCTION



SECTION "A-A"  
WOOD CONSTRUCTION

CORNER DETAIL  
WOOD CONSTRUCTION

4x4 WOOD COLUMN



RIDGE DETAIL  
WOOD CONSTRUCTION

SCALE: 3/8"=1'-0" 1"=8'-0" 1"=2'-3"

SCALE: 6"=1'-0" UNLESS OTHERWISE NOTED  
0" 3" 4" 5" 6" 1' 0"

COOPERATIVE EXTENSION WORK IN  
AGRICULTURE AND HOME ECONOMICS  
STATE OF TENNESSEE  
UNIVERSITY OF TENNESSEE  
AND  
UNITED STATES DEPARTMENT OF AGRICULTURE COOPERATING

28' GREENHOUSE

PA. '74 6185 SHEET 2 OF 3

AGRICULTURAL ENGINEERING DEPARTMENT

