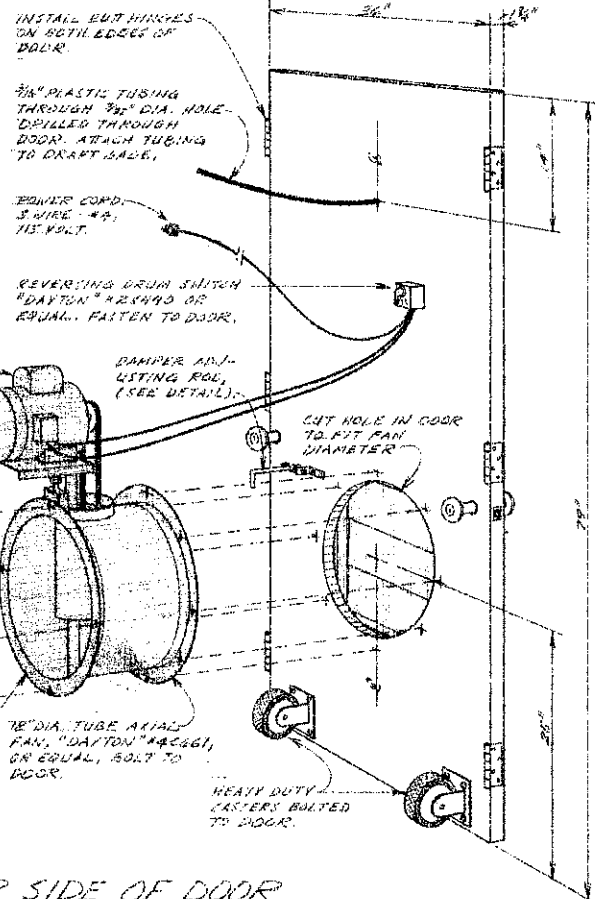
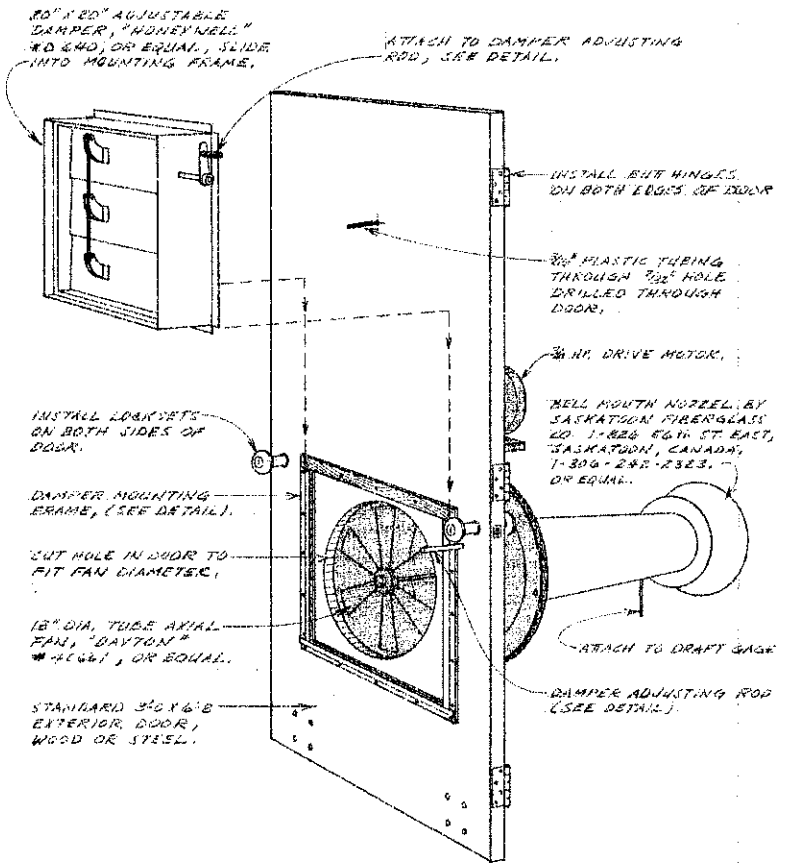


**DRAFT GAGE**

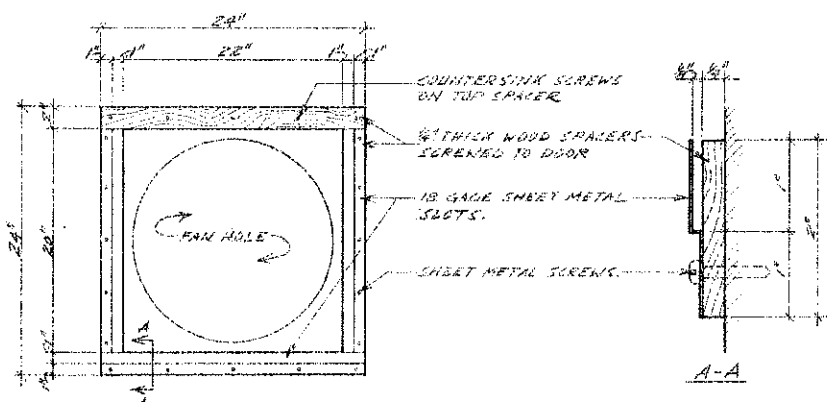
NOTE: THE DRAFT GAGE SHALL BE A "OWYER" #10015, OR EQUAL, "10" TO "100" H<sub>2</sub>O MANOMETER, MANUFACTURED BY OWYER INSTRUMENTS INC., P.O. BOX 373 MICHIGAN CITY, INDIANA, 46300



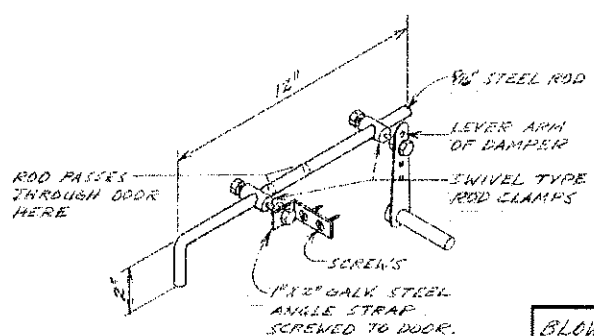
**INTERIOR SIDE OF DOOR**



**EXTERIOR SIDE OF DOOR**



**DAMPER MOUNTING FRAME**



**DAMPER ADJUSTING ROD**

<b>BLOWER DOOR FOR INFILTRATION TESTS</b>		
N.D. PLAN #B19.2-5	SCALE	DRAWN BY G. FALKENBERG
PREPARED BY N.D.S.U. ENERGY EXTENSION SERVICE		REVISED
DATE 5-3-83	APPROVED BY <i>Robert Vogel</i>	DRAWING NUMBER 1 OF ONE