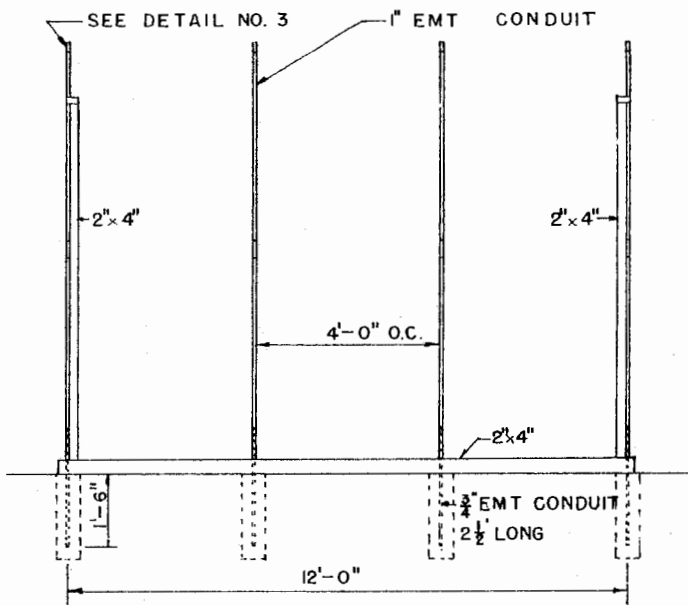
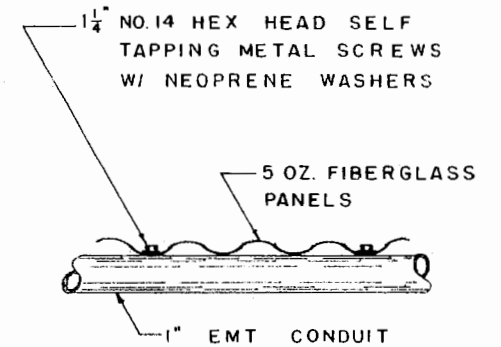


ENDS



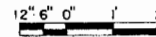
SIDES



FIBERGLASS COVERING
ATTACHMENT DETAIL N.S.

FIBERGLASS COVERED FRAME

SCALE: 1/4" = 1'-0"



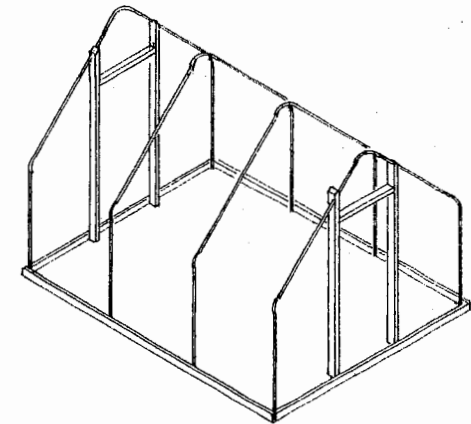
MATERIALS LISTS

FIBERGLASS COVER

- 6 PCS. 2"x4"x10' PRESSURE TR'D LUMBER
- 2 PCS. 2"x4"x12' PRESSURE TR'D LUMBER
- 8 PCS. 1" EMT CONDUIT 10' LONG
- 2 PCS. 3/4" EMT CONDUIT 10' LONG
- 8 NO. 8 SHEET METAL SCREWS
- 24 INSIDE SPREADER (OR ANY OTHER AVAILABLE CONNECTION)
- 8 1" 90° EMT ELBOWS
- 240 1/4" NO. 14 HEX HEAD SELF TAPPING METAL SCREWS W/ NEOPRENE WASHERS
- 6 PCS. 34" x 12" x 5 OZ. FIBERGLASS PANELS
- 3 PCS. 26" x 12" x 5 OZ. FIBERGLASS PANELS
- 4 PCS. 34" x 10" x 5 OZ. FIBERGLASS PANELS
- 2 PCS. 34" x 8" x 5 OZ. FIBERGLASS PANELS
- 90' 1" PVC PLASTIC CLOSURE STRIP
- 1 ST'D 30" 78" SCREEN DOOR & HARDWARE
- 4 1/2" PLUMBER'S STRIP
- 4 GALVANIZED NAILING PLATE
- 35 1 1/2" NAILS

POLYETHYLENE FILM COVER

- 6 PCS. 2"x4"x10' PRESSURE TR'D LUMBER
- 2 PCS. 2"x4"x12' PRESSURE TR'D LUMBER
- 8 PCS. 1" EMT CONDUIT 10' LONG
- 2 PCS. 3/4" EMT CONDUIT 10' LONG
- 8 NO. 8 SHEET METAL SCREWS
- 85 2" 1/4" CARRIAGE BOLTS & WASHERS
- 24 INSIDE SPREADERS (OR ANY OTHER AVAILABLE CONNECTION)
- 8 1" 90° EMT ELBOWS
- 1 ROLL 4 MM. POLYETHYLENE PLASTIC FILM 12' WIDE, 50' LONG
- 200' CLOTH BACKED ELECTRICAL TAPE
- 1 BOX 1/4" STAPLES
- 130' # 15 IRON WIRE
- 1 ST'D 30" 78" SCREEN DOOR & HARDWARE
- 4 1/2" PLUMBER'S STRIP
- 16 ALUMINUM CLIPS
- 4 GALVANIZED NAILING PLATES
- 35 1 1/2" NAILS

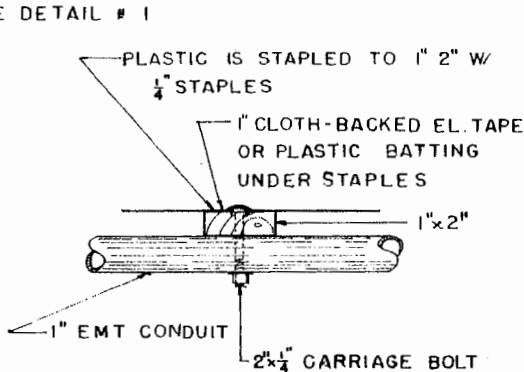
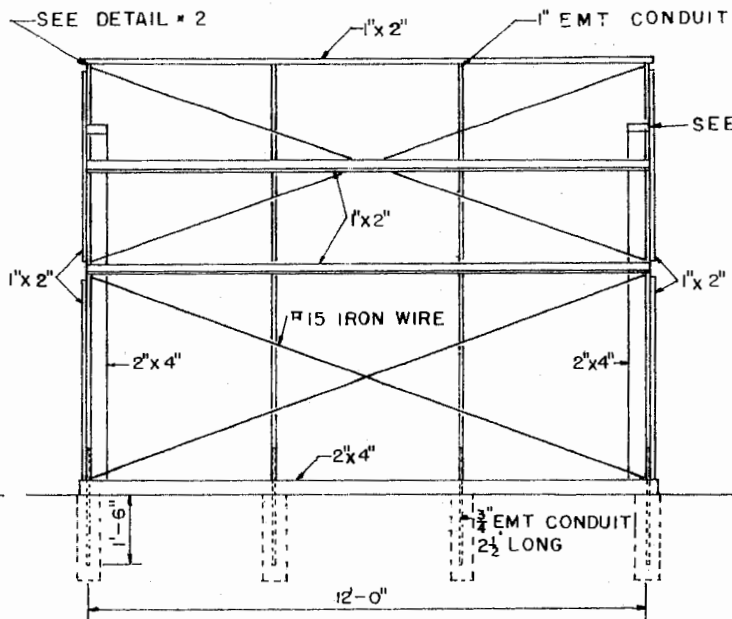
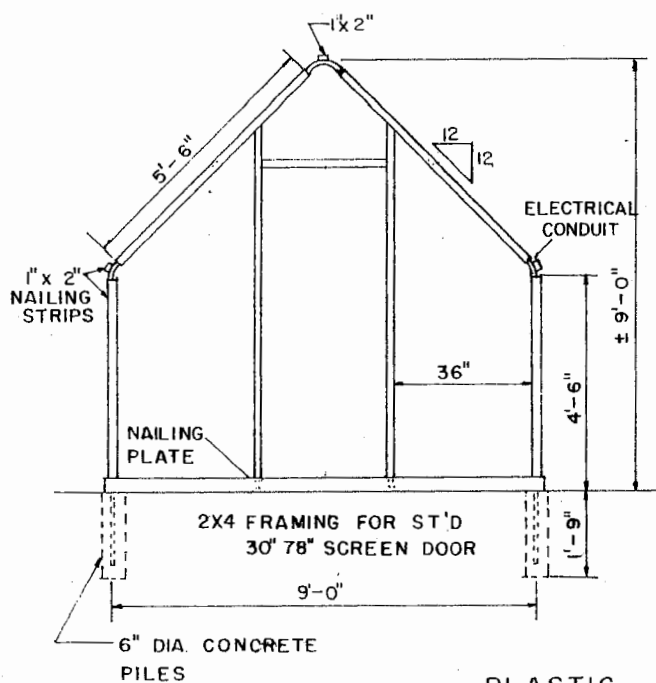


GENERAL VIEW OF
FRAMING



HOBBY GREENHOUSE
(ELECTRICAL CONDUIT FRAME)

ENGINEER	SCALE AS SHOWN
DRAWN BY: RA	SHEET 1 OF 2
TRACED BY	DATE 6/81 No. 48-9

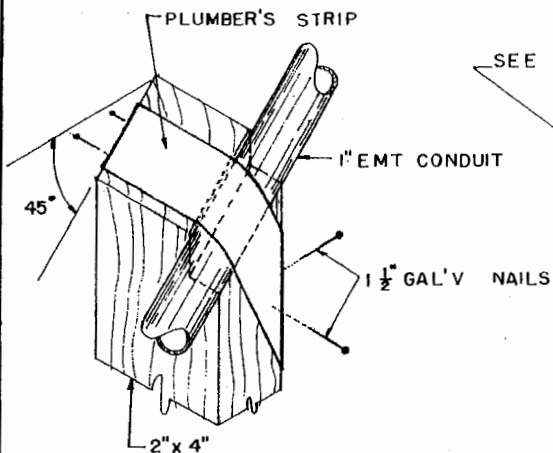
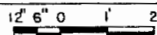


PLASTIC COVERING
ATTACHMENT DETAIL N.S.

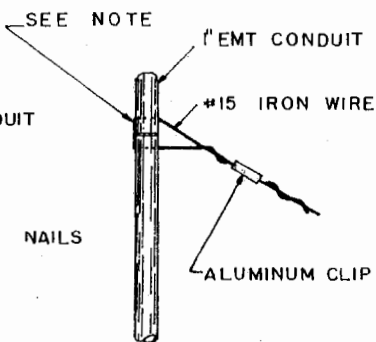
PLASTIC COVERED FRAME

SCALE: 1/4" = 1'-0"

SEE SHEET 1 FOR MATERIALS LIST.
SEE NOTE SHEET 1.

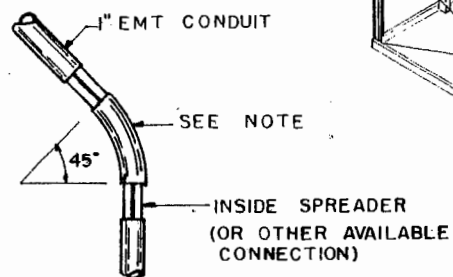


DETAIL NO. 1 N.S.



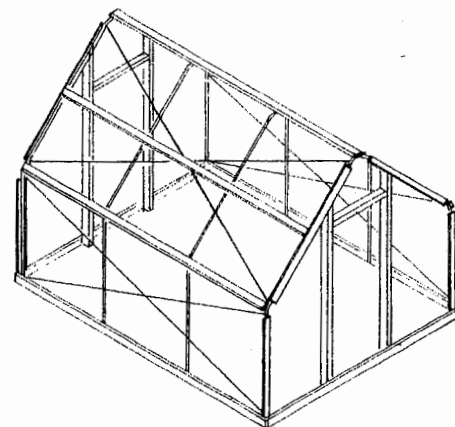
DETAIL NO. 2 N.S.

NOTE: HOLES FOR WIRES ARE AT 1" FROM THE ENDS OF ELBOWS AND CONDUIT SECTIONS.



DETAIL NO. 3 N.S.

NOTE: 1" 90° ELBOW IS USED. 4 FOR TOPS, 4 CUT IN HALF FOR SIDES.



GENERAL VIEW OF
FRAMING



HOBBY GREENHOUSE
(ELECTRICAL CONDUIT FRAME)

ENGINEER	SCALE AS SHOWN
DRAWN BY RA	SHEET 2 OF 2
TRACED BY	DATE 6/81 NO. 48-9

Disclaimer

This site makes available conceptual plans that can be helpful in developing building layouts and selecting equipment for various agricultural applications. These plans do not necessarily represent the most current technology or construction codes. They are not construction plans and do not replace the need for competent design assistance in developing safe, legal and well-functioning agricultural building system. The LSU Agriculture Center, the Mid-West Plan Service, the United States Department of Agriculture and none of the cooperating land-grant universities warranty these plans.